

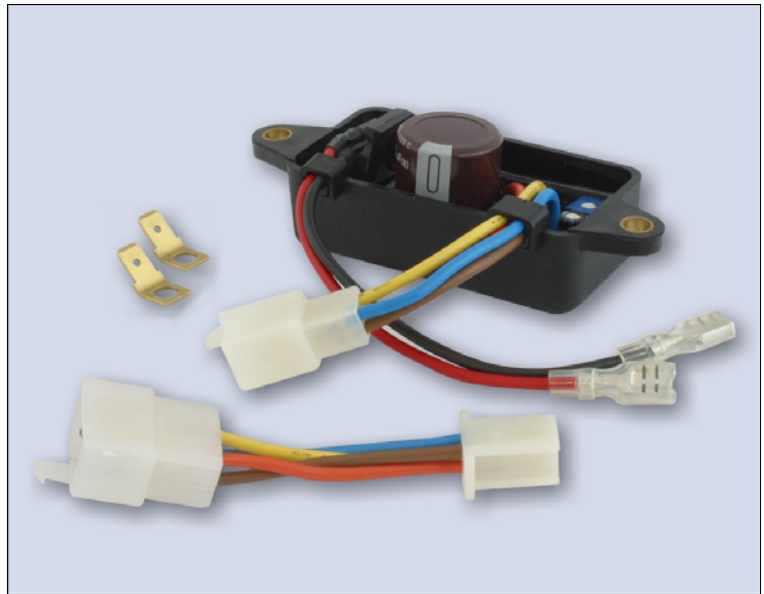
Self Excited Automatic Voltage Regulator Designed For Denyo* & Gasoline Generators

Features

- $< \pm 2\%$ Regulation
- For Small Generators
- Adjustable Output Voltage**
- Compatible With Many Different Models by Adapter Plug
- Economical Compact Design
- Single Phase Voltage Sensing

* For reference purpose only, not a genuine Denyo* product

** The output voltage of the original AVR is not adjustable



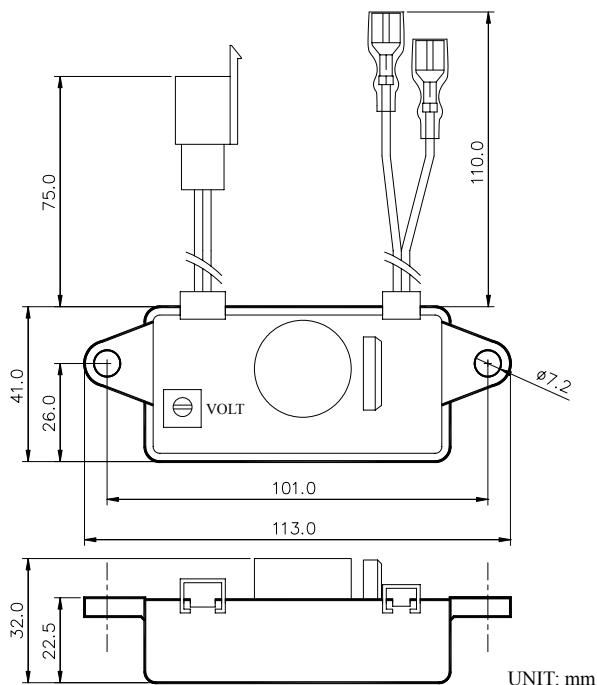
Specifications

Sensing Input	Voltage	18 ~ 22 VAC, 1 phase 2 wire	Voltage Regulation	$< \pm 2\%$ (within 4% engine governing)
Power Input	Voltage	60 ~ 90 VAC, 1 phase 2 wire	Voltage Build Up	Residual volts at AVR terminal > 1 VAC
Excitation Output	Voltage	5 ~ 85 VDC	Voltage Adjust Range	110 VAC $\pm 15\%$
	Current	Continuous 3A, Intermittent 4A for 60 sec	Thermal Drift	0.05% per change in AVR ambient
	Resistance	Min. 25 Ω		

Environment

Vibration	1.5G @ 5 ~ 30 Hz	5.0G @ 30 ~ 500 Hz	Relative Humidity	$< 95\%$
Operating Temperature	-40 ~ 60		Storage Temperature	-40 ~ 85

Mechanical Specifications



Applicable Modules

Brand	Type
KUBOTA Low Boy	GL6500S
YAMAHA	EDL6500S
HONDA	EP-1800、EP-2500
KAWASAKI	GE-1400、GE-2200 GA-2300、GA-2900
SUZUKI	SV-1400L、SV-1400LD SV-2200L、SV-2200LD
SAWAFUJI	SH-1800、SH-2600
MARUYAMA	ME-1800、ME-2600
ELEPAQ	PH-1800、PH-2600

Physical Specifications

Weight	41.0 (L) x 113.0 (W) x 32.0 (H) mm
Dimensions	109 g $\pm 2\%$